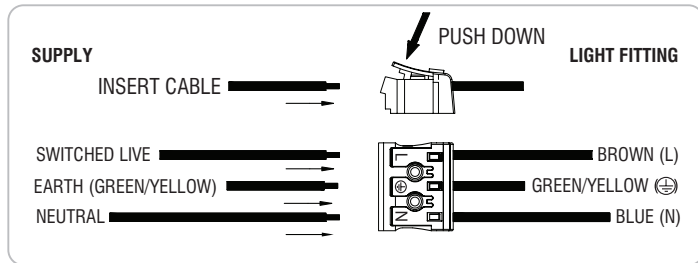


## Wiring

This product is Class I product must be earthed. They must be joined together and well insulated with good quality insulation tape. This is to ensure earth continuity throughout your property.

Having correctly identified the wiring from your existing light fitting and connect to the connection block inside the product in the following way:



### Check that...

- You have correctly identified the wires.
- The connections are tight.
- No loose strands have been left out of the connection block.

## Technical data

Supply Voltage: 220-240 V~, 50 Hz

Bulb 113952 : 57W/48W/39W/28W LED CCT, 3000K / 4000K / 6000K

Type: 113953 : 64W/55W/44W/32W LED CCT, 3000K / 4000K / 6000K

This product contains a light source of energy efficiency class **C**.



Conformity with all relevant UKCA Directive requirements.



Conformity with all relevant EC Directive requirements.



This product is Class 1, must be connected to earth.



Waste electrical products should not be disposed of with household waste. Please recycle where facilities exist. Check with your Local Authority or local store for recycling advice.



This product is not suitable for dimming.



This product is for indoor use only.

## Care and Safety

Live Voltages may be present in this unit even when turned off or when completely disconnected.

We recommend cleaning with a soft dry cloth. Do not use solvents or abrasive cleaners as these could damage the finish.

For your safety, always switch off the power supply before cleaning.

For further information, please visit <https://www.lighting-info.co.uk/113952>

V1 27/09/2024

UK Manufacturer: BH17 7BY

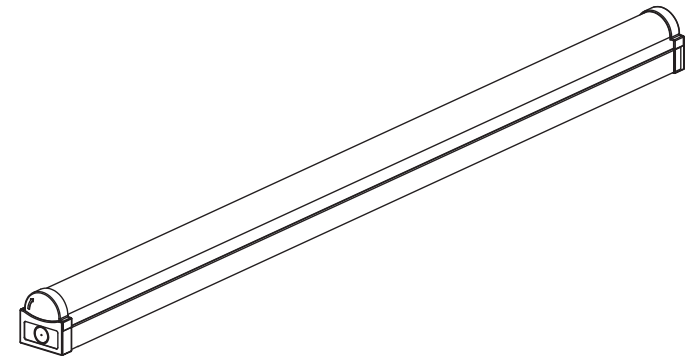
EU Manufacturer: Brilliant AG,  
Brilliantstrasse 1, D-27442 Gnarrenburg

saxby  
lighting

Instruction manual

# RularPRO High Lumen

113952, 113953



[www.saxbylighting.com](http://www.saxbylighting.com)

saxby  
lighting

Thank you for purchasing this light fitting. Please read the instructions carefully before use to ensure safe and satisfactory operation of this product. Please retain these instructions for future reference.

### Warning

This is a Class 1 product and must be earthed.

Please read these instructions carefully before commencing any work.

This unit must be fitted by a competent and qualified electrician.

Check the pack and make sure you have all the parts listed.

Install in accordance with the IEE Wiring regulations and current Building Regulations.

To prevent electrocution switch off at mains supply before installing or maintaining this fitting. Ensure other persons cannot restore the electrical supply without your knowledge. If you are in any doubt, please consult a qualified electrician.

This light fitting should be connected to a fused circuit.

If replacing an existing fitting, make a careful note of the connections.

Waste electrical products should not be disposed of with household waste. Please recycle where facilities exist. Check with your local authority or retailer for recycling advice.

### Layout

Plan the desired layout of these fittings carefully, ensuring the cables will reach the distances between the junction box and the each light fitting.

Avoid locating any cables in positions that would cause a hazard. Position cables and outdoor rated junction boxes (not supplied) away from areas where they may be at risk from being cut, trapped or damaged.

The mains supply cable must have a minimum cross section area of 1.0mm<sup>2</sup>.

Cables must be protected using suitable conduit or plastic trunking.

Take care not to drill into any pipes or mains cables beneath the surface during mounting holes preparation.

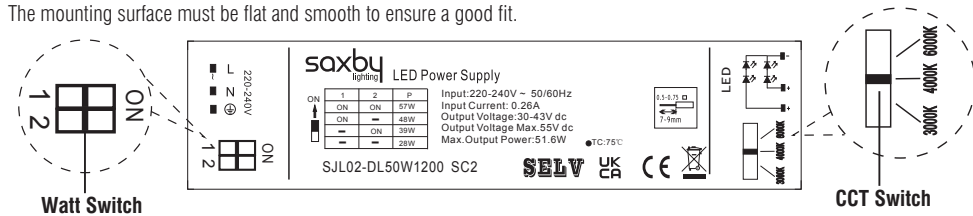
This product can be installed on the ceiling or wall.

### Installation

Existing fittings must be completely removed before installation of a new product. Before removing the existing fitting, carefully note the position of each set of wires.

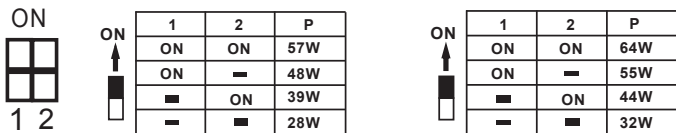
Note that the switch is turned off before installation.

The mounting surface must be flat and smooth to ensure a good fit.



The wattage is changeable by using the wattage switch on the driver.

For the 113952 is the 57W/48W/39W/28W selectable. For the 113953 is the 64W/55W/44W/32W selectable



The colour is changeable between 3000/4000/6000K using the CCT switch on the driver before installation.

Choose your preferred wattage and colour before installing by wattage switch or CCT switch on the driver.

**Note: Before you change the wattage or colour, please turn off the power switch for safety.**

- Hold the product in place and mark the position of the fixing holes. This may require the help of an assistant. If wall mounting, ensure that the product is level.
- Take care to avoid damaging any concealed wiring and pipes. The correct fixings should be used for bricks, cavity walls or plasterboard.
- Ensure the ceiling or wall is capable of holding the weight of the product and then fix brackets in place.
- Rotate both ends of the product in the direction of the arrow to open the diffuser cover.
- Pull the supply cable through the middle grommet and fix the light fitting into position using appropriate fixings.
- Connect the supply cable to the quick fit terminal block as detailed wiring diagram.
- Close diffuser cover into place.
- Replace fuse or circuit breaker and switch on. Your light is now ready for use.

